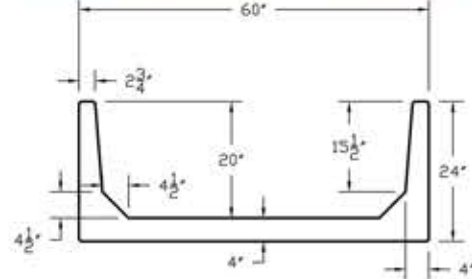
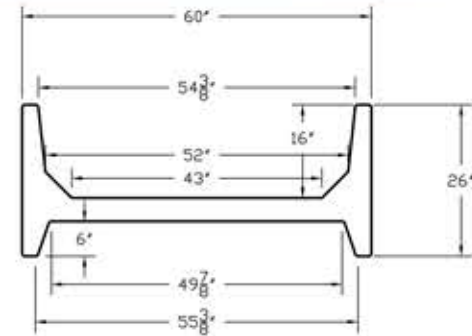
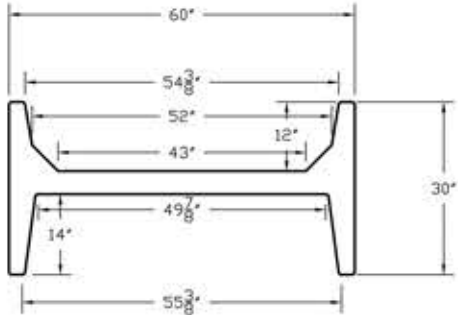


H Bunks

FEEDING DEPTH	FEEDING HEIGHT	FENCELINE HEIGHT	WIDTH	WEIGHT	LENGTH
20"	24 1/2"	24 1/2"	60"	3500# 1750#	8' 4'
16"	26"	26"	60"	3500# 1750#	8' 4'
12"	30"	30"	60"	3500# 1750#	8' 4'



FEED BUNKS



Fencing Items

- Posts: straight, curved or short (Can get with ferrules and rod)
- Slotted Bracket
- 3" Channel Post
- Posts for 2-rail system
- Feed Rail (two rails per bunk)
- Monolithic Ends



WIESER CONCRETE
PRECAST CONCRETE SPECIALISTS

Wieser Concrete
2815 Riley Road
Portage, WI 53901
Ph: (800) 362-7220

Wieser Concrete
N5561 Miranda Way
Fond du Lac, WI 54937
Ph: (800) 641-5937

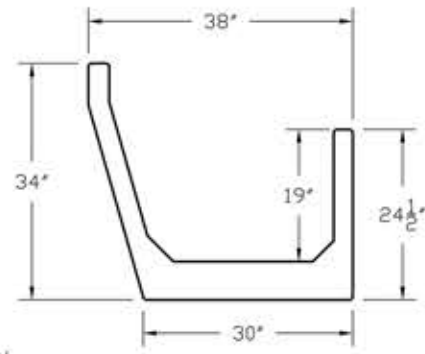
Wieser Concrete
4419 Wagon Wheel Road
Roxana, IL 62084
Ph: (618) 251-9210

Wieser Concrete
W3716 US Hwy 10
Maiden Rock, WI 54750
Ph: (800) 325-8456



Super Bunk

Fenceline Feed Bunk



FEEDING DEPTH	FEEDING HEIGHT	FENCELINE HEIGHT	WIDTH	WEIGHT	LENGTH
19"	24.5"	34"	38" TOP	3700#	12'
19"	24.5"	34"	38" TOP	2500#	8'
19"	24.5"	34"	38" TOP		6' OR 4'

Yard Bunk

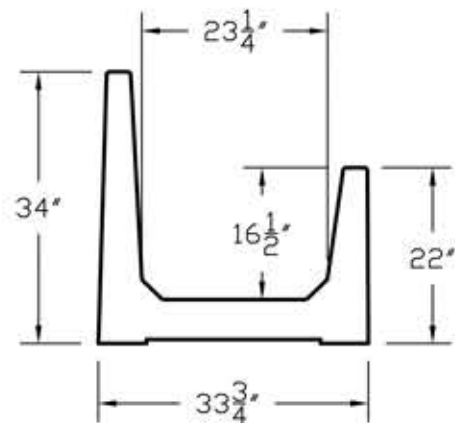
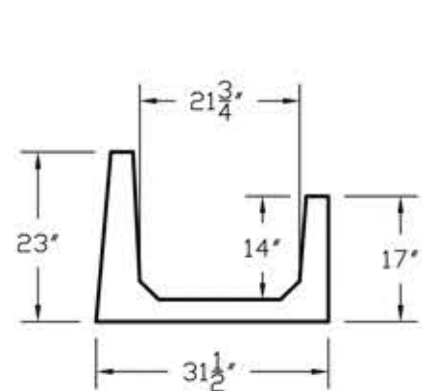
Fenceline Feed Bunk

FEEDING DEPTH	FEEDING HEIGHT	FENCELINE HEIGHT	WIDTH	WEIGHT	LENGTH
14" (STANDARD)	17"	23"	29.5" TOP	3125#	12' 6"
16.5" (HIGH CAP.)	22"	34"	34" TOP	9420#	24'
16.5" (HIGH CAP.)	22"	34"	34" TOP	4620#	12'
16.5" (HIGH CAP.)	22"	34"	34" TOP	3080#	8'

STANDARD YARD BUNK



HIGH CAPACITY YARD BUNK

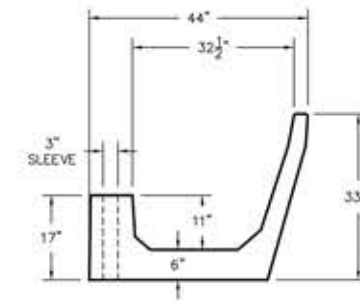


Heavy Duty Super Bunk & Heavy Duty Super Bunk - Low Profile

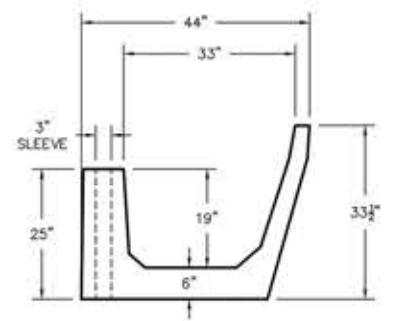


FEEDING DEPTH	FEEDING HEIGHT	FENCELINE HEIGHT	WIDTH	WEIGHT	LENGTH
11"	17"	34"	44"	6200#	12'
19"	25"	34"	44"	6200#	12'

LOW PROFILE - HEAVY DUTY SUPER BUNK



HEAVY DUTY SUPER BUNK



Hi-Back

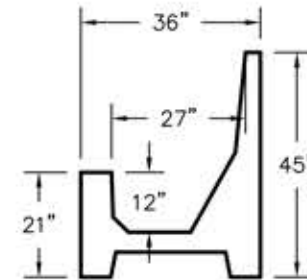
Fenceline Feed Bunk



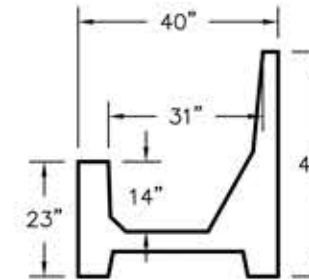
FEEDING DEPTH	FEEDING HEIGHT	FENCELINE HEIGHT	WIDTH	WEIGHT	LENGTH
12"	21"	45"	36"	6525#	12'
14"	23"	45"	40"	6875#	12'
16"	25"	45"	44"	7225#	12'

* HI-BACK CAN SUPPORT COLUMN POSTS

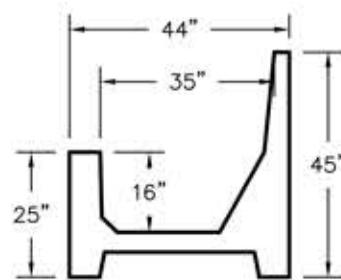
36" END VIEW



40" END VIEW



44" END VIEW



Calf Bunk

Fenceline Feed Bunk



FEEDING DEPTH	FEEDING HEIGHT	FENCELINE HEIGHT	WIDTH	WEIGHT	LENGTH
12"	22"	30"	30" TOP 24" BOTTOM	2000#	8'
				1000#	4'

