



You asked for BIGGER... We delivered



Roto-Mix Stationary Feed Mixers & Commercial Feeder Semi-Trailers

New rotary feed mixer
with 1220 cu. ft. capacity.

The new Roto-Mix 1220-20 rotary stationary can quickly fill a Roto-Mix CFB Semi-Trailer for rapid bunk delivery. Combine the feed mixing capabilities of Roto-Mix feed mixers with the feed delivery efficiency of Roto-Mix CFB Semi-Trailers and you have the perfect combination. Blend uniform feed rations and deliver to the bunk in a short amount of time.



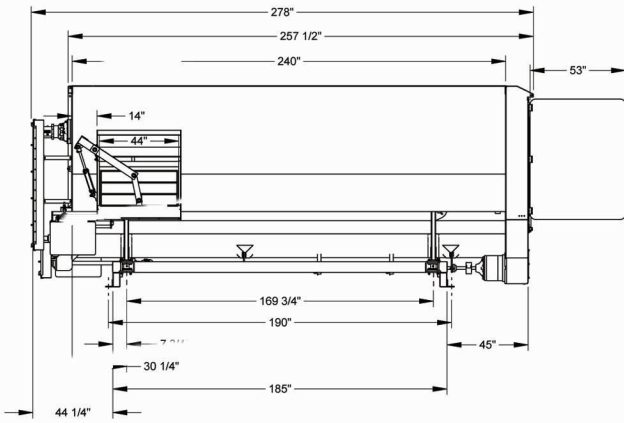
Dual direction floor



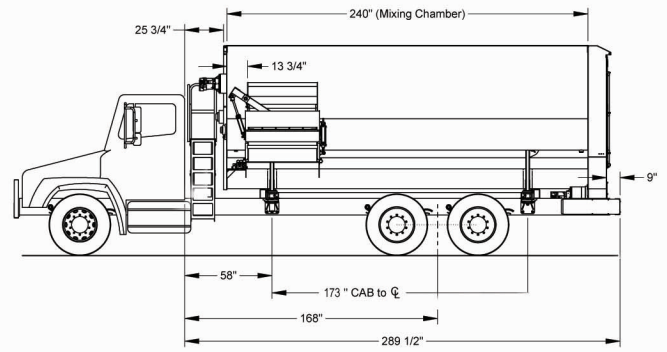
FP2-1

620.225.1142 www.rotomix.com

1220-20 STATIONARY DIMENSIONS



1220-20 TRUCK DIMENSIONS



Horizontal Feed Mixers Specifications		1220-20	
		Truck	Stationary
Weight-Stationary - Less Motor.	lb.(kg)	NA	28,150 (12,769)
Weight-Truck Unit - Installed	lb.(kg)	27,500 (12,474)	NA
Rotor Diameter	in.(cm)	94-1/2 (240.03)	94-1/2 (240.03)
Inside Length	in.(cm)	240 (609.60)	240 (609.60)
Inside Width	in.(cm)	127 (322.58)	127 (322.58)
Overall Length-Mixer Only	in.(cm)	283 (718.82)	279 (708.66)
Overall Width-Mixer Only	in.(cm)	128(325.12)	128(325.12)
Overall Width-Spout Up	in.(cm)	138 (350.52)	133 (337.82)
Height of Mixer on 40" Truck Frame	in.(cm)	142 (360.68)	NA
Height on Stationary Scale Frame	in.(cm)	NA	112 (284.48)
Discharge Spout Width	in.(cm)	44 (111.76)	44 (111.76)
Truck Cab to Axle	in.(cm)	173 (439.42)	NA
Mixing Capacity	cu.ft.	1200	1200
Maximum Heavy Ration	lb.(kg)	36,000	36,000
Tub Bottom	in.(cm)	3/8 (0.9525)	3/8 (0.9525)
Auger Bottom	in.(cm)	3/8 (0.9525)	3/8 (0.9525)
Ends	in.(cm)	1/4 (0.635)	1/4 (0.635)
Upper Auger Side	in.(cm)	1/4 (0.635)	1/4 (0.635)
Upper Rotor Side	in.(cm)	1/4 (0.635)	1/4 (0.635)
Top Auger Flight OD	in.	24 x 3/8	24 x 3/8
	(cm)	(0.4547)	(0.4547)
Bottom Auger Flight OD	in.	24 x 1/2 & 3/4	24 x 1/2 & 3/4
	(cm)	(60.96x 1.27&1.90)	(60.96x 1.27&1.90)
Auger Drive-Roller Chain		#140	#140
Rotor Drive-Roller Chain		#180	#180
Top Auger Drive Shaft	in.(cm)	3-1/2 (8.89)	3-1/2 (8.89)
Lower Auger Drive Shaft	in.(cm)	3-1/2 (8.89)	3-1/2 (8.89)
Rotor Drive Shaft	in.(cm)	9-3/4 (24.77)	9-3/4 (24.77)
Electric (Standard)	H.P.	NA	75 & 75
(Kilowatts)	H.P.	NA	(56 & 56)
Truck (Engine)	H.P.	350	NA



All dimensions and specifications are approximate and subject to change without notice.

Weights listed with most common option packages excluding fold conveyors.

For additional information visit us at
www.rotomix.com

Call today to connect with a local dealer

620.225.1142



ROTO-MIX LLC

2205 East Wyatt Earp Blvd., P.O. Box 1724

Dodge City, Kansas 67801

Fax 620.225.6370 • info@rotomix.com